



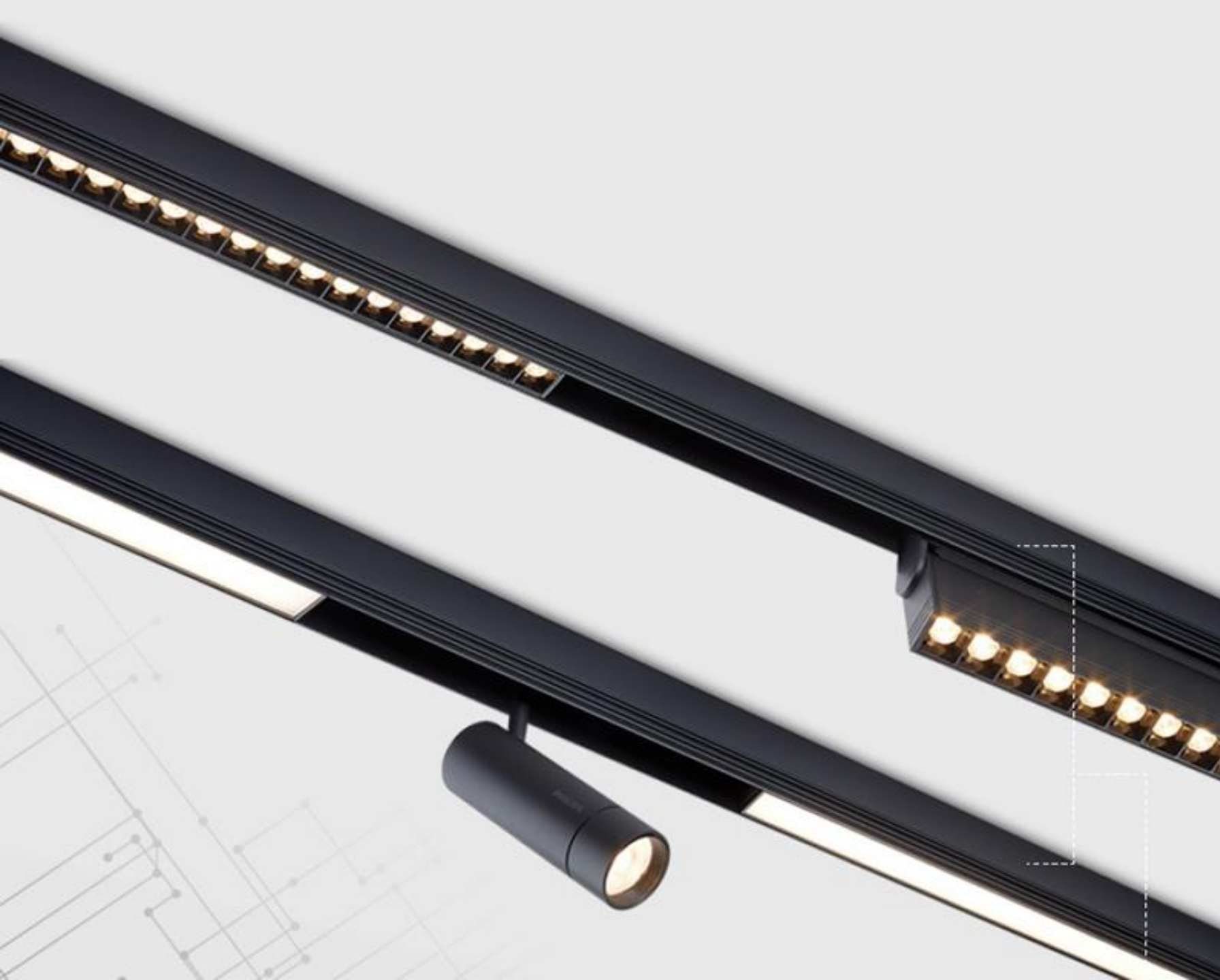
# WEBBER

Magnetic Track Light  
by Philips Lighting

Philips WEBBER comes with double safety which prevents the fixtures from falling.

Double Safety = High-quality magnetic suction + safety buckle





Philips original large capacity external drive

A full set of Philips original magnetic lamps

Driving multiple lamps simultaneously

# Philips WEBBER

# Others

Museum-grade high color rendering  
High color reproduction, true and natural



**Color Rendering Index >80**  
**Effectively restore true colors**

VS



**Low color rendering index**  
**Color Deviation**

Fixtures

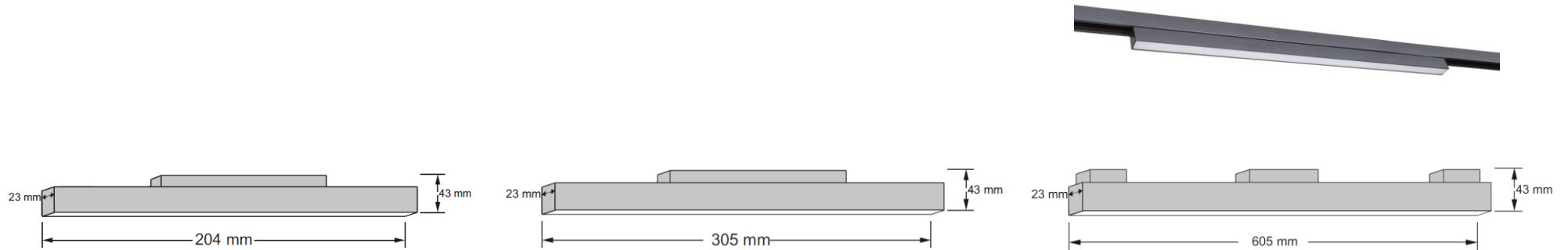
A thick, light gray curved line starts from the bottom center and curves upwards and to the right, ending near the top right corner of the frame. The background is a solid dark gray.




Diffused Blade

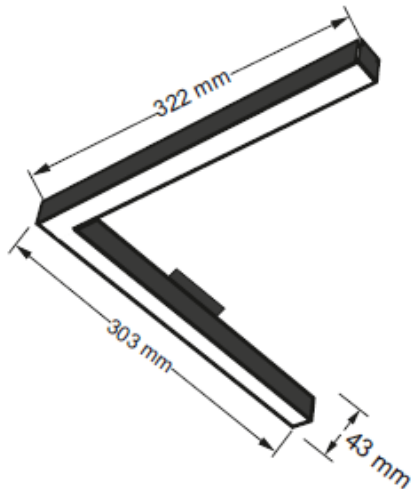


# Diffused Blade



Diffused Blade	6W	12W 	18W
Input Voltage	48V DC	48V DC	48V DC
Lumen	350 Lumen	950 Lumen	1450 Lumen
CRI	>80	>80	>80
CCT	WW, NW and CW	WW, NW and CW	WW, NW and CW
Beam Angle	120 Degrees	120 Degrees	120 Degrees
Material	Aluminium	Aluminium	Aluminium
Body Color	Black	Black	Black
Dimensions	L 204 mm, W 23 mm, H 43 mm	L 305 mm, W 23 mm, H 43 mm	L 605 mm, W 23 mm, H 43 mm
USP 1	Modular Design		
USP 2	Long-lasting fixture		
USP 3	Functional, minimal design - Fits perfectly in any home		
USP 4	Protection from shock - low-voltage safety		

# L-Diffused Blade

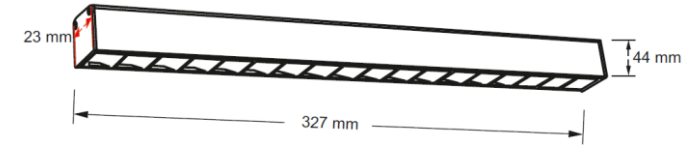
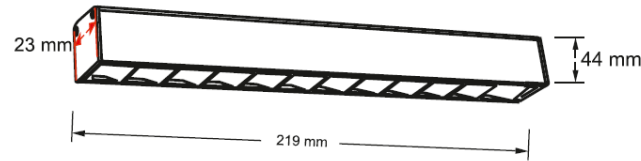
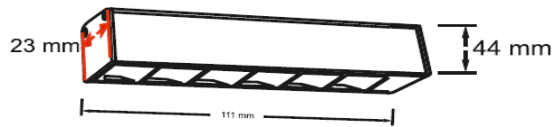


<b>L-shaped Diffused Blade</b>	<b>24W</b>
Input Voltage	48V DC
Lumen	1450 Lumen
CRI	>80
CCT	WW, NW and CW
Beam Angle	120 Degrees
Material	Aluminium
Body Color	Black
Dimensions	L 322 mm, W 303 mm, H 43 mm
USP 1	Modular Design
USP 2	Long-lasting fixture
USP 3	Functional, minimal design - Fits perfectly in any home
USP 4	Protection from shock - low-voltage safety



Spot Blade

# Spot Blade



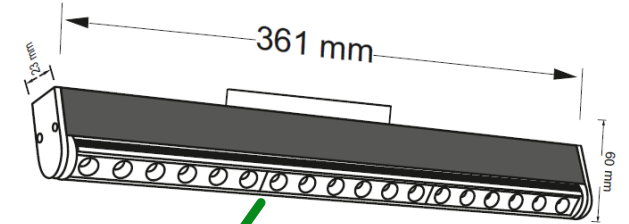
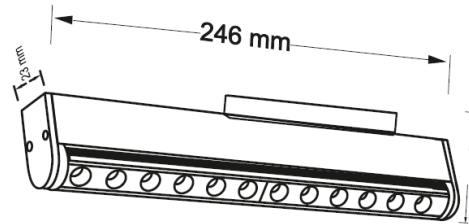
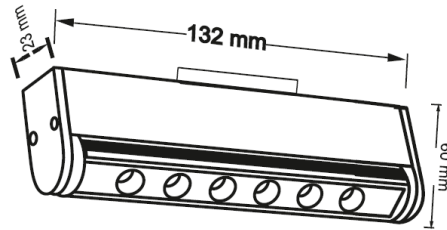
Spot Blade	6W	12W	18W
Input Voltage	48V DC	48V DC	48V DC
Lumen	420 Lumen	870 Lumen	1350 Lumen
CRI	>80	>80	>80
CCT	WW, NW and CW	WW, NW and CW	WW, NW and CW
Beam Angle	43.3 Degrees	43 Degrees	43.1 Degrees
Material	Aluminium	Aluminium	Aluminium
Body Color	Black	Black	Black
Dimensions	L 111 mm, W 23 mm, H 44 mm	L 219 mm, W 23 mm, H 44 mm	L 327 mm, W 23 mm, H 44 mm
USP 1	Modular Design		
USP 2	Long-lasting fixture		
USP 3	Functional, minimal design - Fits perfectly in any home		
USP 4	Protection from shock - low-voltage safety		



Narrow Movable Blade



# Narrow Movable Blade

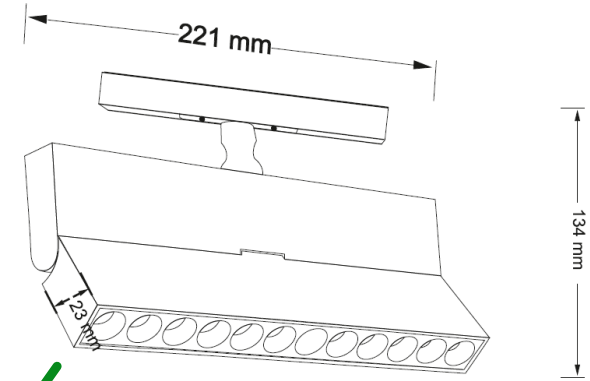
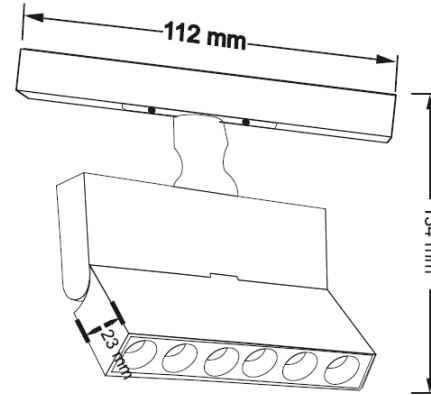


Narrow Blade	6W	12W	18W ✓
Input Voltage	48V DC	48V DC	48V DC
Lumen	300 Lumen	600 Lumen	900 Lumen
CRI	>80	>80	>80
CCT	WW, NW and CW	WW, NW and CW	WW, NW and CW
Beam Angle	39 Degrees	39.1 Degrees	39.1 Degrees
Material	Aluminium	Aluminium	Aluminium
Body Color	Black	Black	Black
Dimensions	L 132 mm, W 23 mm, H 60 mm	L 246 mm, W 23 mm, H 60 mm	L 361 mm, W 23 mm, H 60 mm
USP 1	Modular Design		
USP 2	Long-lasting fixture		
USP 3	Functional, minimal design - Fits perfectly in any home		
USP 4	Protection from shock - low-voltage safety		



Foldable Blade

# Foldable Blade



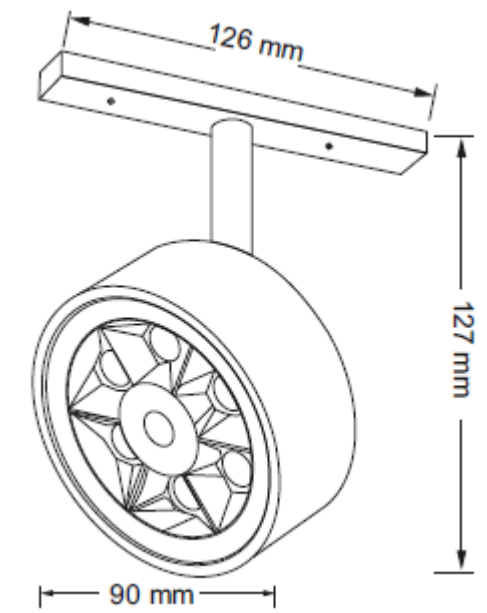
Foldable Blade	6W	12W ✓
Input Voltage	48V DC	48V DC
Lumen	450 Lumen	930 Lumen
CRI	>80	>80
CCT	WW, NW and CW	WW, NW and CW
Beam Angle	26 Degrees	26 Degrees
Material	Aluminium	Aluminium
Body Color	Black	Black
Dimensions	L 112 mm, W 23 mm, H 135 mm	L 221 mm, W 23 mm, H 134 mm
USP 1	Modular Design	
USP 2	Long-lasting fixture	
USP 3	Functional, minimal design - Fits perfectly in any home	
USP 4	Protection from shock - low-voltage safety	



# IMPERIAL Wall Washer

# IMPERIAL | Wall Washer Track

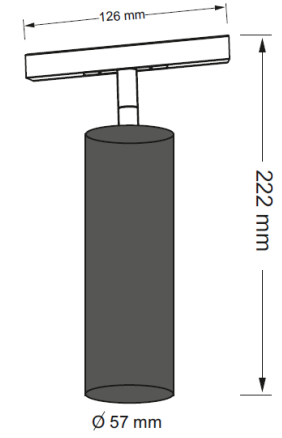
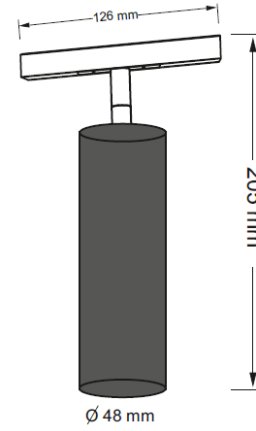
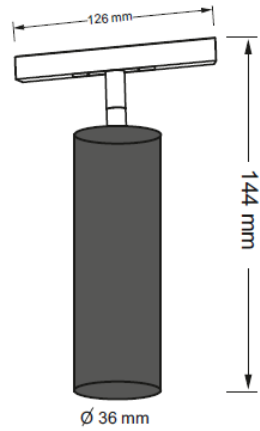
Imperial Wall Washer Track	12W
Input Voltage	48V DC
Lumen	800 Lumen
CRI	>80
CCT	WW, NW and CW
Beam Angle	28 Degrees
Material	Aluminium
Body Color	Black
Dimensions	L 126 mm, W 90 mm, H 127 mm
USP 1	Modular Design
USP 2	Long-lasting fixture
USP 3	Functional, minimal design - Fits perfectly in any home
USP 4	Protection from shock - low-voltage safety





Track Spot

# Track Spot



Track Spot	6W	12W	18W
Input Voltage	48V DC	48V DC	48V DC
Lumen	500 Lumen	1250 Lumen	1730 Lumen
CRI	>80	>80	>80
CCT	WW, NW and CW	WW, NW and CW	WW, NW and CW
Beam Angle	27 Degrees	27 Degrees	27 Degrees
Material	Aluminium	Aluminium	Aluminium
Body Color	Black	Black	Black
Dimensions	L 126 mm, W 36 mm, H 144 mm	L 126 mm, W 48 mm, H 205 mm	L 126 mm, W 57 mm, H 222 mm
USP 1	Modular Design		
USP 2	Long-lasting fixture		
USP 3	Functional, minimal design - Fits perfectly in any home		
USP 4	Protection from shock - low-voltage safety		



Diffused Pendant

# Diffused Pendant

<b>Diffused Pendant</b>	<b>7W</b>
Input Voltage	48V DC
Lumen	650 Lumen
CRI	>80
CCT	WW, NW and CW
Beam Angle	120 Degrees
Material	Aluminium
Body Color	Black
Dimensions	L 126 mm, W 55 mm, H 1262 mm
USP 1	Modular Design
USP 2	Long-lasting fixture
USP 3	Functional, minimal design - Fits perfectly in any home
USP 4	Protection from shock - low-voltage safety





Spot Pendant

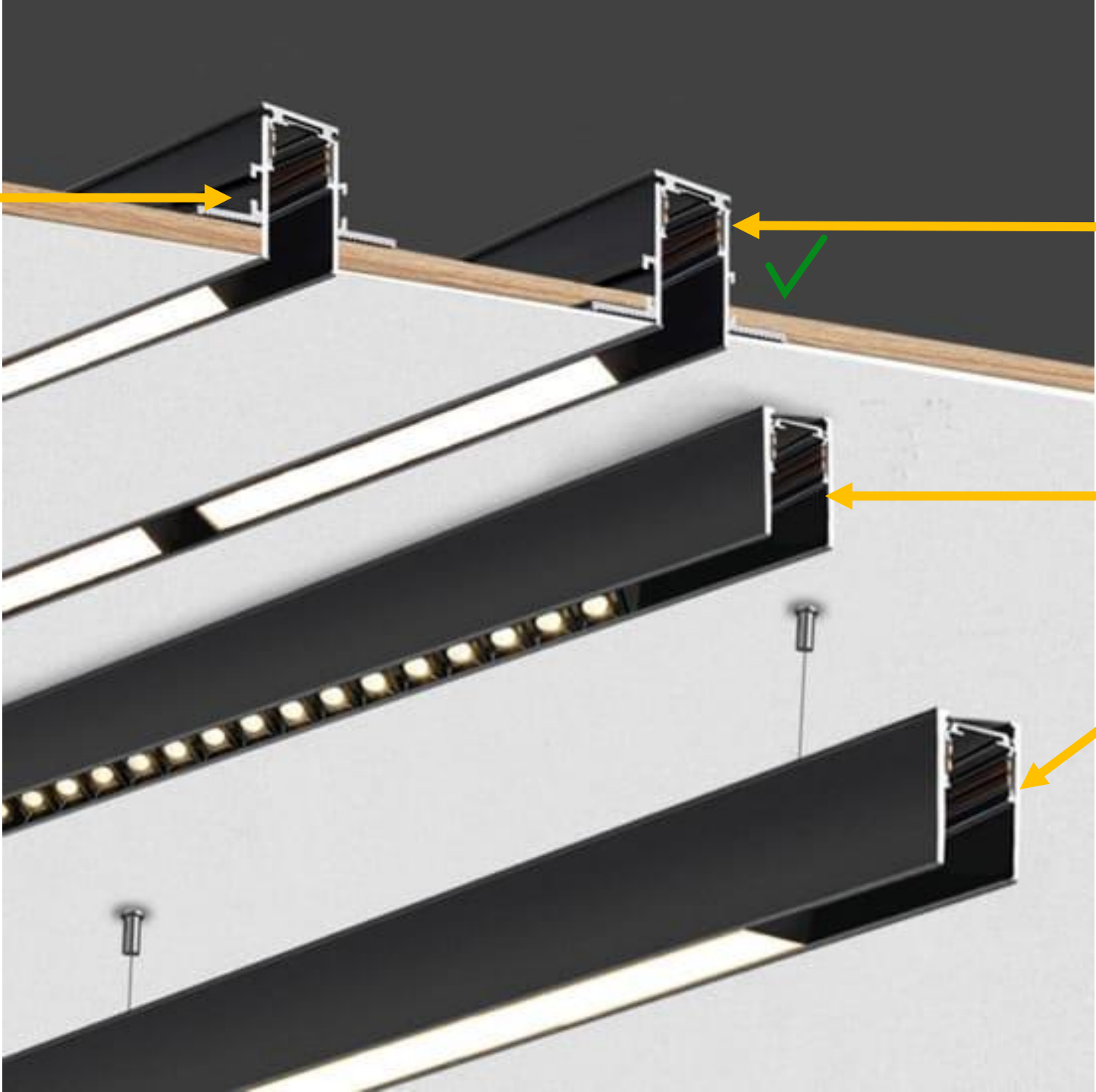
# Spot Pendant

Spot Pendant	7W
Input Voltage	48V DC
Lumen	450 Lumen
CRI	>80
CCT	WW, NW and CW
Beam Angle	25.6 Degrees
Material	Aluminium
Body Color	Black
Dimensions	L 126 mm, W 40 mm, H 1265 mm
USP 1	Modular Design
USP 2	Long-lasting fixture
USP 3	Functional, minimal design - Fits perfectly in any home
USP 4	Protection from shock - low-voltage safety



# Track and Accessories

A thick, light gray curved line starts from the bottom center and curves upwards and to the right, ending near the top right corner of the frame. The background is a solid dark gray.



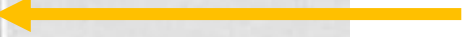
**Recessed Track**



**Recessed Track  
Trimless**

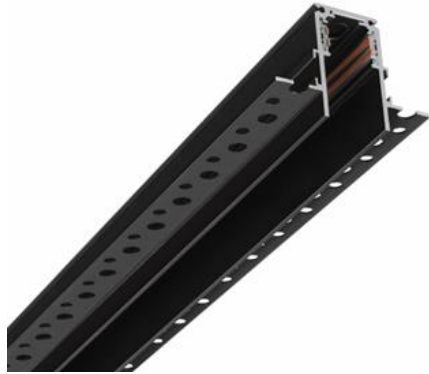


**Surface/  
Suspended Track**

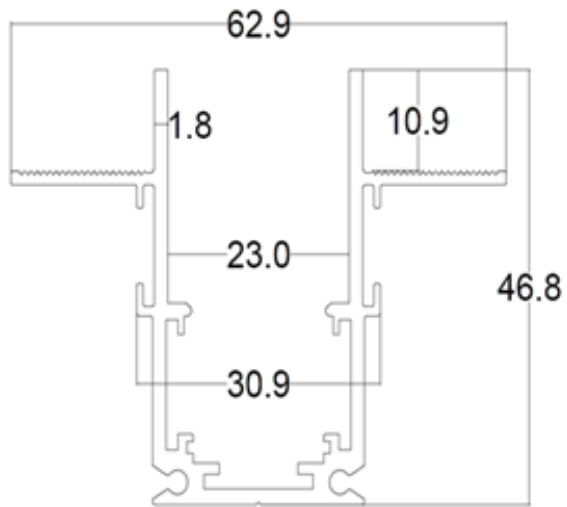


# Track | Recessed

Input voltage: DC48V



582041 Webber Recessed Track 1M  
Dimensions (mm): L1000\*W63\*H47  
Material: Aluminium  
Product Code: 919215851169



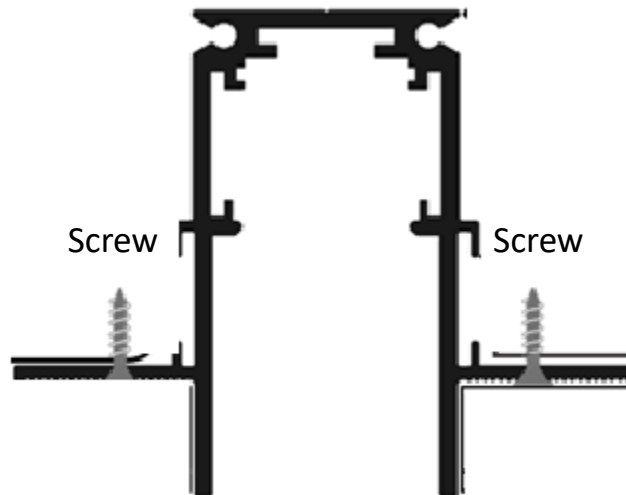
Product Dimensions (mm)



**End Cap**  
2 units provided with each track  
Dimensions: W63\*H47mm



**Connectors**  
2 units provided with each Corner  
(mechanical connection between 2 tracks)



Mounting Illustration (detailed instructions in later pages)

## CORNERS



582037 Webber Recessed Corner 90°  
Dimensions (mm): 100\*100  
Product Code: 919215851165  
*For movement on the ceiling*



582035 Webber Recessed Corner 90°IN  
Dimensions (mm): 100\*100  
Product Code: 919215851163  
*For ceiling to wall movement*



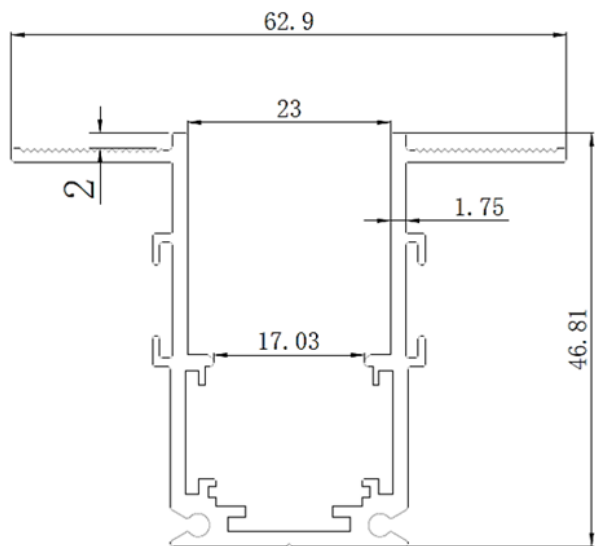
582036 Recessed Corner 90°Out  
Dimensions (mm): 100\*100  
Product Code: 919215851164  
*For wall to ceiling movement*

# Track | Recessed Trimless ✓

Input voltage: DC48V



582040 Webber Recessed Trimless Track 1M  
Dimensions (mm): L1000\*W63\*H47  
Material: Aluminium  
Product Code: 919215851168



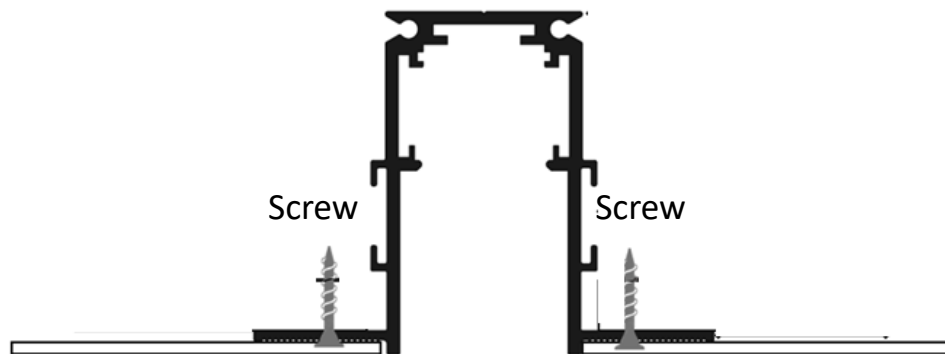
Product Dimensions (mm)



**End Cap**  
2 units provided with each track  
Dimensions: W63\*H47mm



**Connectors**  
2 units provided with each Corner  
(mechanical connection between 2 tracks)



Mounting Illustration (detailed instructions in later pages)

## CORNERS



582034 Webber Trimless Corner 90°  
Dimensions (mm): 100\*100  
Product Code: 919215851162  
*For movement on the ceiling*



582032 Webber Trimless Corner 90° In  
Dimensions (mm): 100\*100  
Product Code: 919215851160  
*For ceiling to wall movement*



582033 Webber Trimless Corner 90° Out  
Dimensions (mm): 100\*100  
Product Code: 919215851161  
*For wall to ceiling movement*

# Track | Surface and Suspended

Input voltage: DC48V

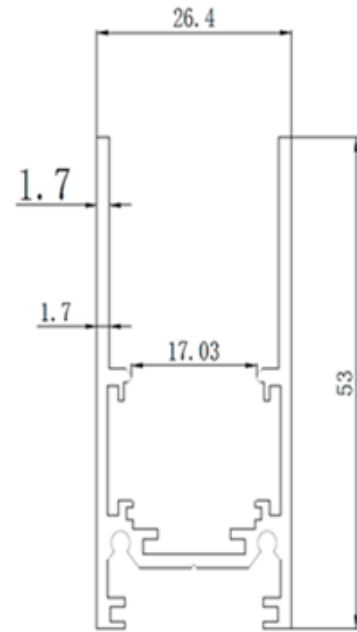


582043 Webber Surface&Suspended Track 1M

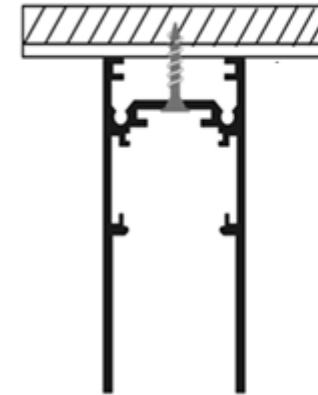
Dimensions (mm): L1000\*W26\*H53

Material: Aluminium

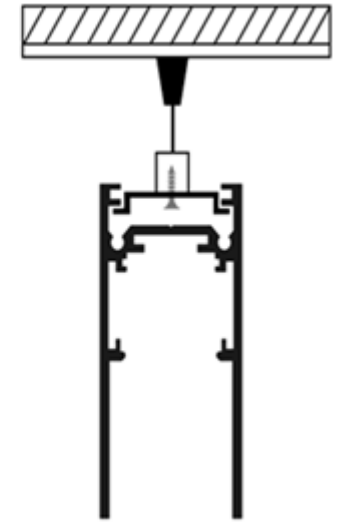
Product Code: 919215851171



Product Dimensions (mm)



Surface Installation



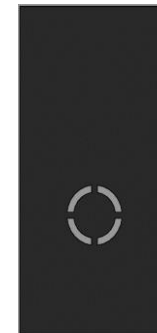
Suspended Installation



582039 Surface&Susp Corner90°

Dimensions (mm): 80\*80

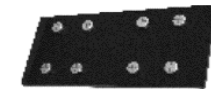
Product Code: 919215851167



**End Cap**

2 units provided with each Track

Dimensions: W26\*H53 mm



**Connectors**

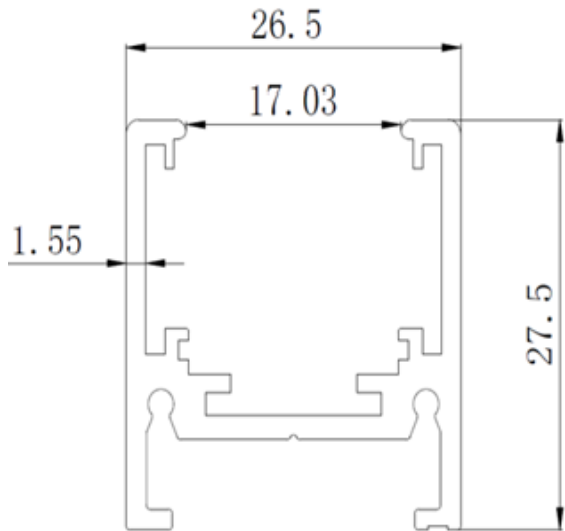
2 units provided with each Corner  
(mechanical connection between 2 tracks)

# Track | Surface and Suspended - Micro

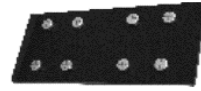
Input voltage: DC48V



582042 Webber Micro Surface&SuspTrack 1M  
Dimensions (mm): L1000\*W26.5\*H27.5  
Material: Aluminium  
Product Code: 919215851170



Product Dimensions (mm)



### Connectors

2 units provided with each Track  
(mechanical connection between 2 tracks)

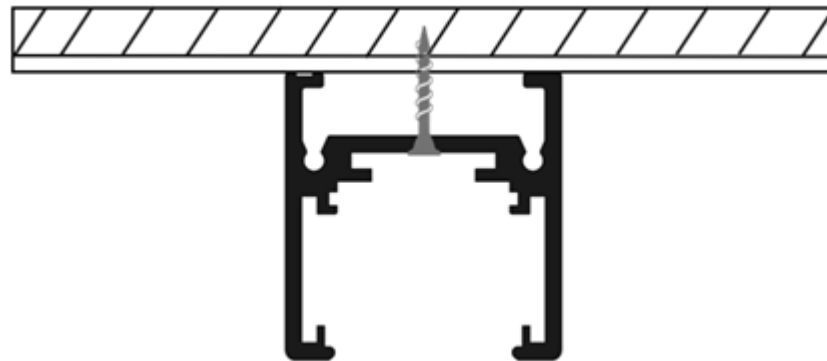


### End Cap

2 units provided with each Corner  
Dimensions: W26.5\*H27.5mm



582038 MicroSurface&SuspCorner90°  
Dimensions (mm): 80\*80  
Product Code: 919215851166



Mounting Illustration (detailed instructions in later pages)

# Connecting Modules ✓



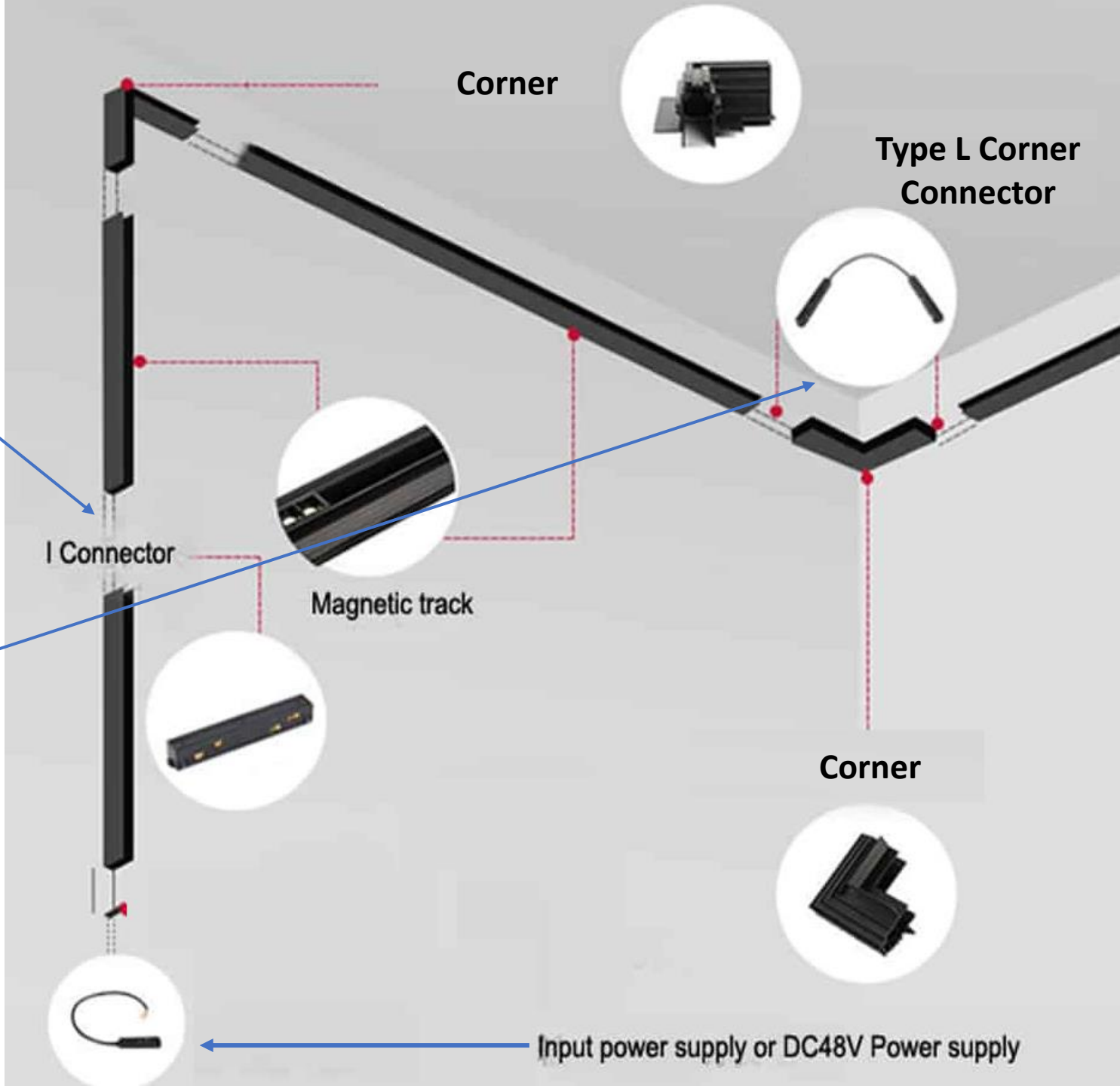
582027 Webber Type I Parallel Interface  
Product Code: 919215851155

- Straight-through module Set
- Application to any type track
- Use into the place where connect two track



582028 Webber Type L Corner Interface  
Product Code: 919215851156

- Corner Module Set
- Application to any type track
- Use into the corner connect



# Hanging Kit



582031 Webber Hanging Kit  
Product Code: 919215851159



582042 Webber Micro Surface&SuspTrack 1M  
Dimensions (mm): L1000\*W26.5\*H27.5  
Material: Aluminium  
Product Code: 919215851170



582043 Webber Surface&Suspended Track 1M  
Dimensions (mm): L1000\*W26\*H53  
Material: Aluminium  
Product Code: 919215851171

**Hanging Kit can be used only with the Tracks shown above**

# Driver Connection Kit



For connecting the Track to the External Driver  
Available in 2 lengths: 0.5 Meter and 1.5 Meter

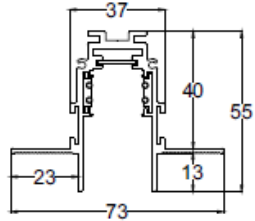
919215851157	582029 Webber Driver connection Kit 0.5M
919215851158	582030 Webber Driver connection Kit 1.5M

# Directions for Use

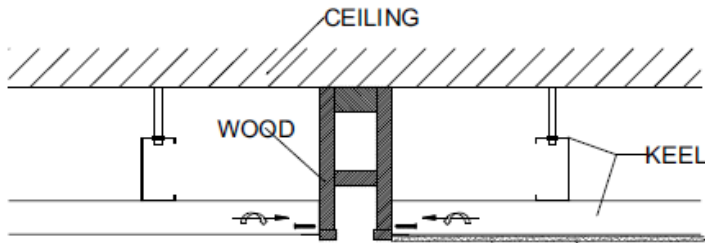
## Installation Manual

# How to install Recessed Track?

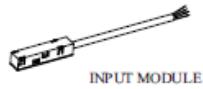
## 1. RECESSED



SECTIONAL DRAWING FOR TRACK TC20



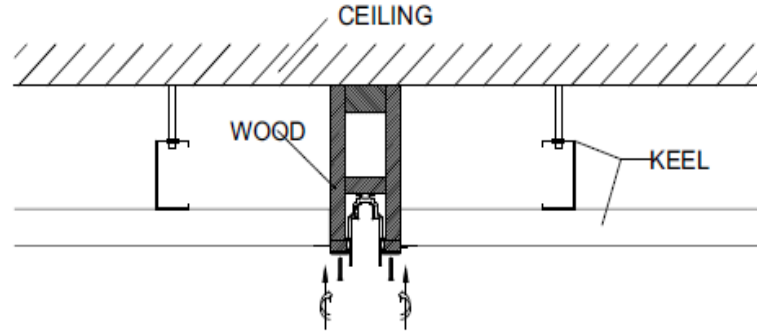
1. Make the wooden slot according to the sectional drawing of the track and the design needed, it should be strong enough to hold the track and all the lights, and please ensure the height of the slot should let the wing of the track match with the first NINE PLYWOOD which will be fixed on later



INPUT MODULE



2. Put the input module on start position of the first track, pull the wire out from the hole on the end caps, then use the screws to lock the end caps on the track, on the other hand, close the other end of the track also with the end caps

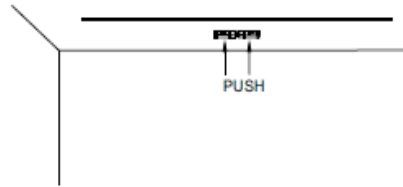


3. Twist the screws through the wings of the track to install the track in the wooden slot, better dig holes on the wings in advance

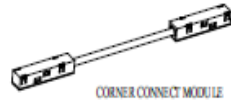
**Note: If there are several tracks and corners in this system, please install all the tracks in the slot in same way.**



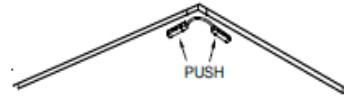
STRAIGHT CONNECT MODULE



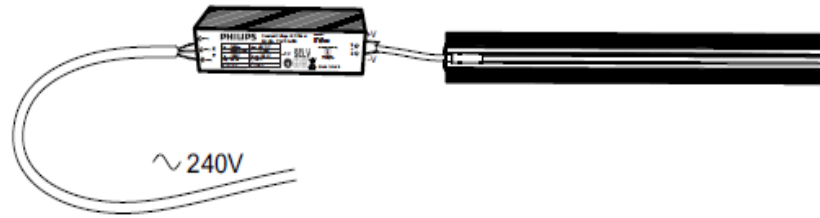
4. Put the straight connect module on all the connect position of two straight track



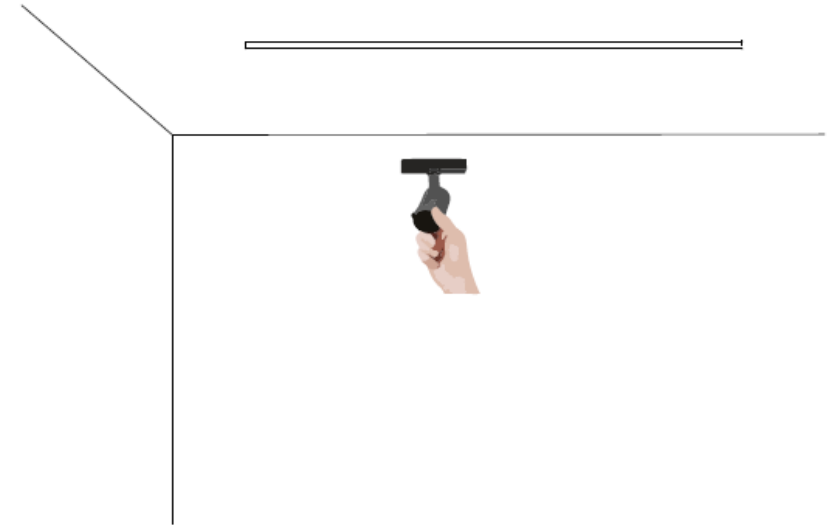
CORNER CONNECT MODULE



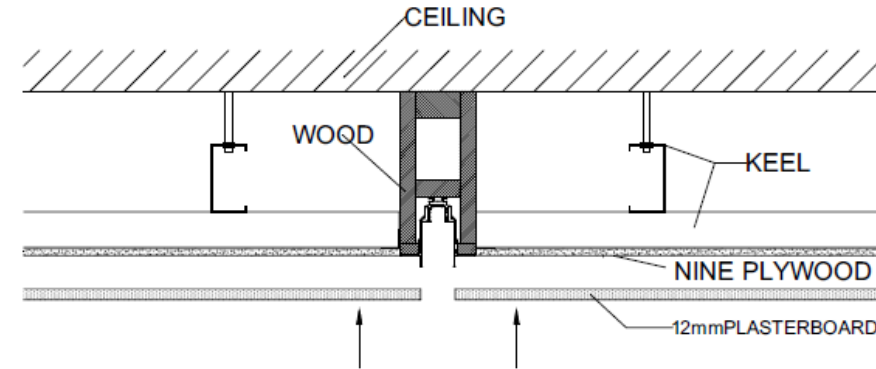
5. Put the corner connect module on all the corners



6. Connect the wire of the input module to +V & -V terminal of the 48V DC driver, no matter positive or negative; then connect the N, L, EARTH terminal to the electric supply; later fix the driver on a proper position of the ceiling



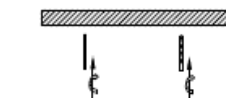
7. Check and confirm if all the connections of the tracks and wires are proper, then install one of the lights on the track to ensure that all the tracks are working proper



8. Cover the ceiling with the first NINE PLYWOOD and the 12mm PLASTERBOARD, then continue to do all the following necessary procedures

# How to install Surface Track?

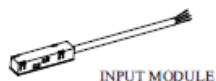
## 2. SURFACE



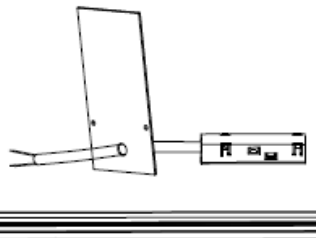
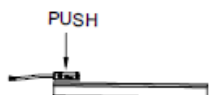
1. Drill a proper hole on the ceiling in the size which is according to the expansion pipe



2. Put the expansion pipe in the drilled hole

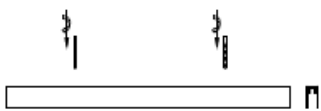


INPUT MODULE

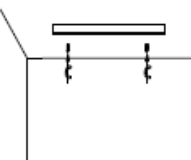


2. Put the input module on start position of the first track, pull the wire out from the hole on the end caps, then use the screws to lock the end caps on the track, on the other hand, close the other end of the track also with the end caps

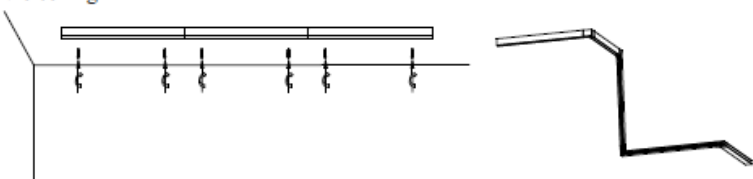
**Note:** - If there are several tracks in this system, please close the end of the last track with end caps instead.



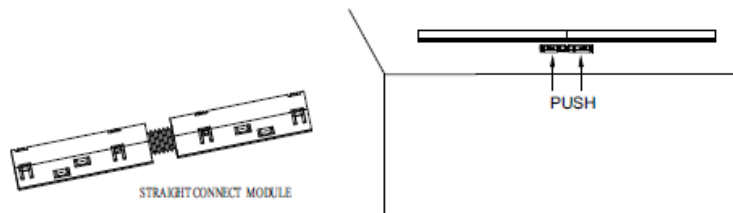
3. Drill two holes on the bottom of the track according to the position of the drilled hole on the ceiling



4. Fix the track on the ceiling by lock the self-tapping screw through the hole of the track to the expansion pipe

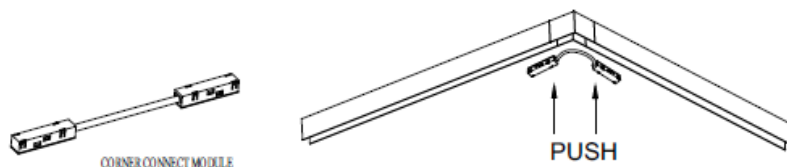


5. if there are several tracks in this system, please fix all the tracks on the ceiling in same way



STRAIGHT CONNECT MODULE

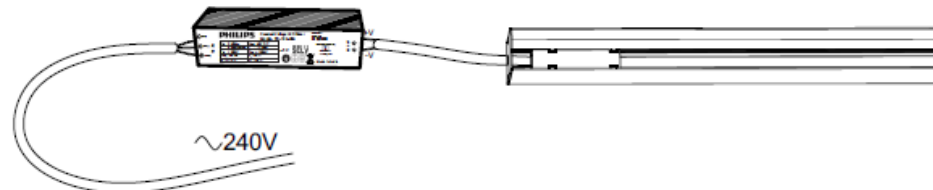
6. Put the straight connect module on all the connect position of two straight track



CORNER CONNECT MODULE

7. Put the corner connect module on all the corners

**Note:** - If the design is a circle, then no need to put the corner connect in the last corner.



8. Connect the wire of the input module to +V & -V terminal of the 48V DC driver, no matter positive or negative; then connect the N, L, EARTH terminal to the electric supply; later fix the driver on a proper position of the ceiling

# How to install Suspended Track?

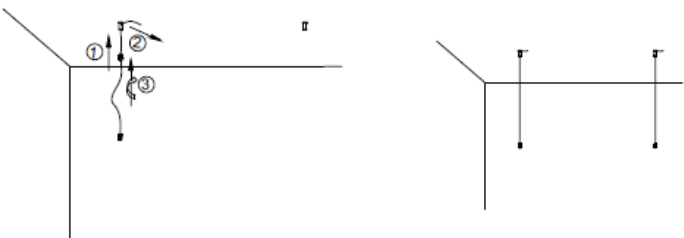
## 3. SUSPENDED



1. Drill a proper hole on the ceiling in the size which is according to the expansion pipe.
2. Put the expansion pipe in the drilled hole.



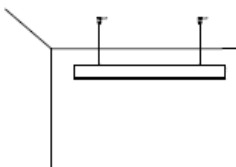
3. Fix the component with hole and internal thread on the ceiling by lock the self-tapping screw through the hole to the expansion pipe.
4. Let the wire go through the screw with line and the tension spring, then keep the stud inside the screw.



5. Pull the wire from the hole of the component with internal thread, then screw the tension spring on it.
6. Adjust both the wires to the proper length.

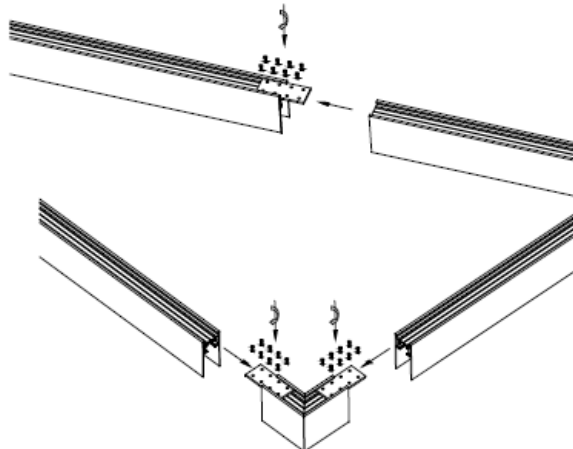


7. Use the screw to fix the clamps on the screw with line.

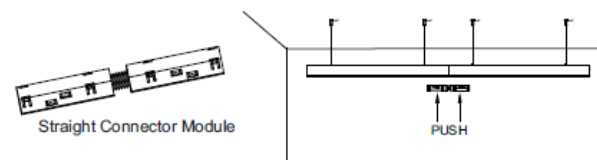


8. Slide both of the clamps to the slot which is on the back of the track.

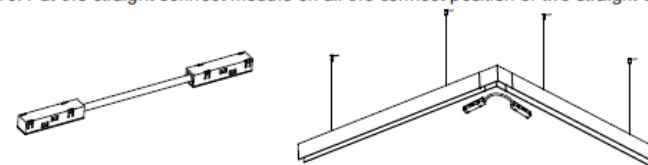
**Note:** - If there are several tracks in this system, please install all the hanging wires in proper position and use the clamps to hang all the tracks in the same way.



9. For connecting two tracks together, please slide the metal plate to the slots which are on the back of the two tracks, keep the tracks closed touched, then fix the screws to make it tight.

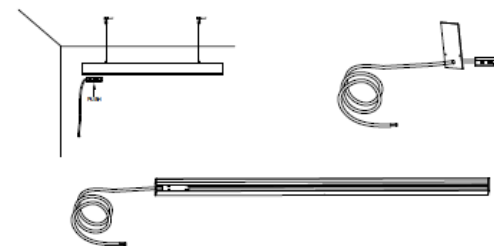


10. Put the straight connect module on all the connect position of two straight track.

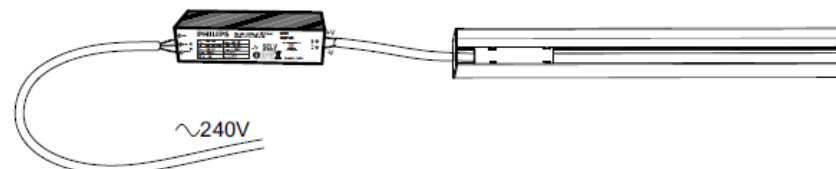


11. Pull the corner, connect module on all the corners.

**Note:** - If the design is a circle, then no need to pull the corner, connect module in the last corner.



12. Put the input module on start position of the first track, pull the wire out from the hole on the end caps, then use the screws to lock the end caps on the track. On the other hand, close the other end of the last track in this systems also with the end caps.



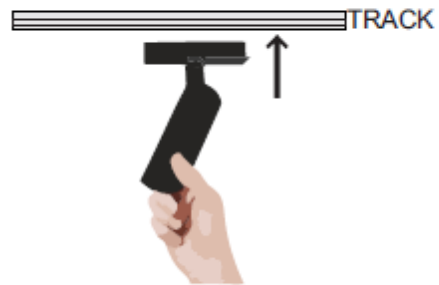
13. Connect the wire of the input module to "+V" & "-V" terminal of the Driver. No matter for the positive and negative; then connect the N, L, Earth terminal to the electric supply; later fix the driver on a proper position of the ceiling.

## Need to follow below points at the time of Light Installation: -

While installing the track lights, please follow the below points for mounting/dis-mounting,

1. For Webber Diffused Blade Magnetic Series, Webber Spot Blade Magnetic Series, Webber Narrow Blade Magnetic Series, Webber Foldable Blade Magnetic Series, 7W Diffused Pendant follow below

Step 1: - Push the light connector inside the track.

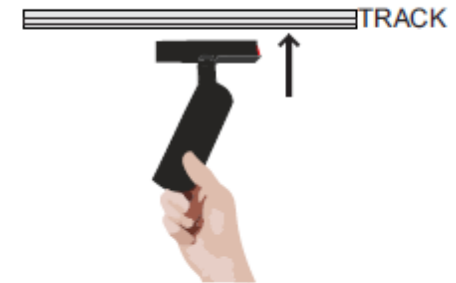


Step 2: - Once the Connector placed at correct place, it will automatically Lock.



2. For Webber Track Spot Magnetic Series, Webber 7W Spot Pendant Magnetic Series, Webber 12W Wall washer Magnetic Series, follow below

Step 1: - Push the light connector inside the track.



Step 2: - Once the Connector placed at correct place, it will automatically Lock.



Step 3: - Switch off the power, push the button to open.



Step 4: - Keep both hands in use to hold the light after unlock.



# Price List (Diffused Blade and Spot Blade)

Product Type	Range	Sub-range	12NC	Description	MRP	
Fixture	Diffused Blade	Diffused Blade 6W	919215851101	581979 WEBBER 6W DIFFUSED BLADE WW	1,880	
Fixture			919215851102	581979 WEBBER 6W DIFFUSED BLADE NW	1,880	
Fixture			919215851103	581979 WEBBER 6W DIFFUSED BLADE CW	1,880	
Fixture		Diffused Blade 12W	919215851104	581980 WEBBER 12W DIFFUSED BLADE WW	2,450	
Fixture			919215851105	581980 WEBBER 12W DIFFUSED BLADE NW	2,450	
Fixture			919215851106	581980 WEBBER 12W DIFFUSED BLADE CW	2,450	
Fixture		Diffused Blade 18W	919215851107	581981 WEBBER 18W DIFFUSED BLADE WW	4,020	
Fixture			919215851108	581981 WEBBER 18W DIFFUSED BLADE NW	4,020	
Fixture			919215851109	581981 WEBBER 18W DIFFUSED BLADE CW	4,020	
Fixture		L-Shaped Diffused Blade 24W	919215851110	581982 WEBBER 24W L DIFFUSED BLADE WW	4,960	
Fixture			919215851111	581982 WEBBER 24W L DIFFUSED BLADE NW	4,960	
Fixture			919215851112	581982 WEBBER 24W L DIFFUSED BLADE CW	4,960	
Fixture		Spot Blade	Spot Blade 6W	919215851113	581983 WEBBER 6W SPOT BLADE WW	1,730
Fixture				919215851114	581983 WEBBER 6W SPOT BLADE NW	1,730
Fixture				919215851115	581983 WEBBER 6W SPOT BLADE CW	1,730
Fixture	Spot Blade 12W		919215851116	581984 WEBBER 12W SPOT BLADE WW	2,470	
Fixture			919215851117	581984 WEBBER 12W SPOT BLADE NW	2,470	
Fixture			919215851118	581984 WEBBER 12W SPOT BLADE CW	2,470	
Fixture	Spot Blade 18W		919215851119	581985 WEBBER 18W SPOT BLADE WW	3,420	
Fixture			919215851120	581985 WEBBER 18W SPOT BLADE NW	3,420	
Fixture			919215851121	581985 WEBBER 18W SPOT BLADE CW	3,420	

# Price List (Narrow Movable Blade and Foldable Blade)

Product Type	Range	Sub-range	12NC	Description	MRP
Fixture	Narrow Movable Blade	Narrow Movable Blade 6W	919215851122	581986 WEBBER 6W NARROW BLADE WW	2,490
Fixture			919215851123	581986 WEBBER 6W NARROW BLADE NW	2,490
Fixture			919215851124	581986 WEBBER 6W NARROW BLADE CW	2,490
Fixture		Narrow Movable Blade 12W	919215851125	581987 WEBBER 12W NARROW BLADE WW	3,790
Fixture			919215851126	581987 WEBBER 12W NARROW BLADE NW	3,790
Fixture			919215851127	581987 WEBBER 12W NARROW BLADE CW	3,790
Fixture		Narrow Movable Blade 18W	919215851128	581988 WEBBER 18W NARROW BLADE WW	5,120
Fixture			919215851129	581988 WEBBER 18W NARROW BLADE NW	5,120
Fixture			919215851130	581988 WEBBER 18W NARROW BLADE CW	5,120
Fixture	Foldable Blade	Foldable Blade 6W	919215851131	581989 WEBBER 6W FOLDABLE BLADE WW ✓	5,640
Fixture			919215851132	581989 WEBBER 6W FOLDABLE BLADE NW	5,640
Fixture			919215851133	581989 WEBBER 6W FOLDABLE BLADE CW	5,640
Fixture		Foldable Blade 12W	919215851134	581990 WEBBER 12W FOLDABLE BLADE WW	7,750
Fixture			919215851135	581990 WEBBER 12W FOLDABLE BLADE NW	7,750
Fixture			919215851136	581990 WEBBER 12W FOLDABLE BLADE CW	7,750

# Price List (Imperial Wall Washer, Track Spot, Pendants)

Product Type	Range	Sub-range	12NC	Description	MRP	
Fixture	Imperial Wall Washer	Imperial Wall Washer 12W	919215851137	581991 WEBBER 12W IMPERIAL WALLWASHER WW	7,090	
Fixture			919215851138	581991 WEBBER 12W IMPERIAL WALLWASHER NW	7,090	
Fixture			919215851139	581991 WEBBER 12W IMPERIAL WALLWASHER CW	7,090	
Fixture	Track Spot	Track Spot 6W	919215851140	581992 WEBBER 6W TRACK SPOT WW	4,340	
Fixture			919215851141	581992 WEBBER 6W TRACK SPOT NW	4,340	
Fixture			919215851142	581992 WEBBER 6W TRACK SPOT CW	4,340	
Fixture		Track Spot 12W	919215851143	581993 WEBBER 12W TRACK SPOT WW	6,070	
Fixture			919215851144	581993 WEBBER 12W TRACK SPOT NW	6,070	
Fixture			919215851145	581993 WEBBER 12W TRACK SPOT CW	6,070	
Fixture		Track Spot 18W	919215851146	581994 WEBBER 18W TRACK SPOT WW	7,590	
Fixture			919215851147	581994 WEBBER 18W TRACK SPOT NW	7,590	
Fixture			919215851148	581994 WEBBER 18W TRACK SPOT CW	7,590	
Fixture		Diffused Pendant	Diffused Pendant 7W	919215851149	581995 WEBBER 7W DIFFUSED PENDANT WW	5,460
Fixture				919215851150	581995 WEBBER 7W DIFFUSED PENDANT NW	5,460
Fixture				919215851151	581995 WEBBER 7W DIFFUSED PENDANT CW	5,460
Fixture	Spot Pendant	Spot Pendant 7W	919215851152	581996 WEBBER 7W SPOT PENDANT WW	5,700	
Fixture			919215851153	581996 WEBBER 7W SPOT PENDANT NW	5,700	
Fixture			919215851154	581996 WEBBER 7W SPOT PENDANT CW	5,700	

# Price List (Accessories, Corners, Tracks and Driver)

Product Type	Range	Sub-range	12NC	Description	MRP
Accessory	Connecting Module	Connecting Module	919215851155	582027 Webber Type I Parallel Interface	1,280
Accessory			919215851156	582028 Webber Type L Corner Interface	1,330
Accessory	Driver Connection Kit	Driver Connection Kit	919215851157	582029 Webber Driver connection Kit 0.5M	940
Accessory			919215851158	582030 Webber Driver connection Kit 1.5M	1,620
Accessory	Hanging Kit	Hanging Kit	919215851159	582031 Webber Hanging kit	1,200
Corner	Corners	Corners	919215851160	582032 Webber Trimless Corner 90° In	3,070
Corner			919215851161	582033 Webber Trimless Corner 90°Out	3,070
Corner			919215851162	582034 Webber Trimless Corner 90°	3,070
Corner			919215851163	582035 Webber Recessed Corner 90°IN	3,070
Corner			919215851164	582036 Webber Recessed Corner 90°Out	3,070
Corner			919215851165	582037 Webber Recessed Corner 90°	3,070
Corner			919215851166	582038 Webber MicroSurface&SuspCorner90°	3,070
Corner			919215851167	582039 Webber Surface&Susp Corner90°	3,070
Track			Track	Track Length 1M	919215851168
Track	919215851169	582041 Webber Recessed Track 1M			6,680
Track	919215851170	582042 Webber Micro Surface&SuspTrack 1M			5,570
Track	919215851171	582043 Webber Surface&Suspended Track 1M			6,490
Driver	Independent Driver	Independent Driver	919215851172	Webber100W 48V DC Independent LED Driver	4,710

Signify